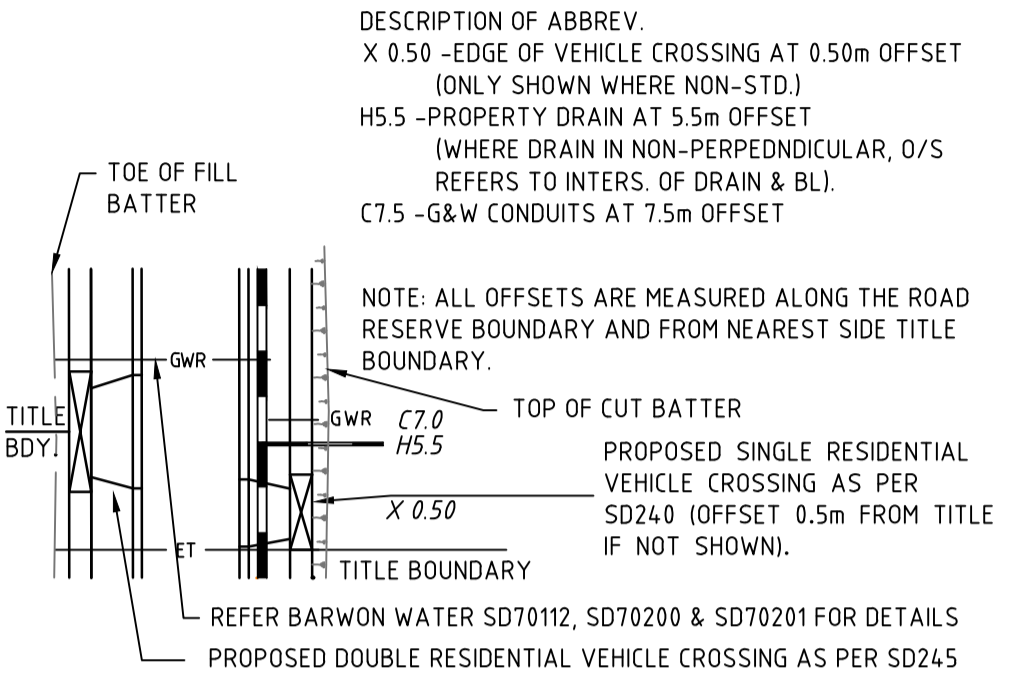
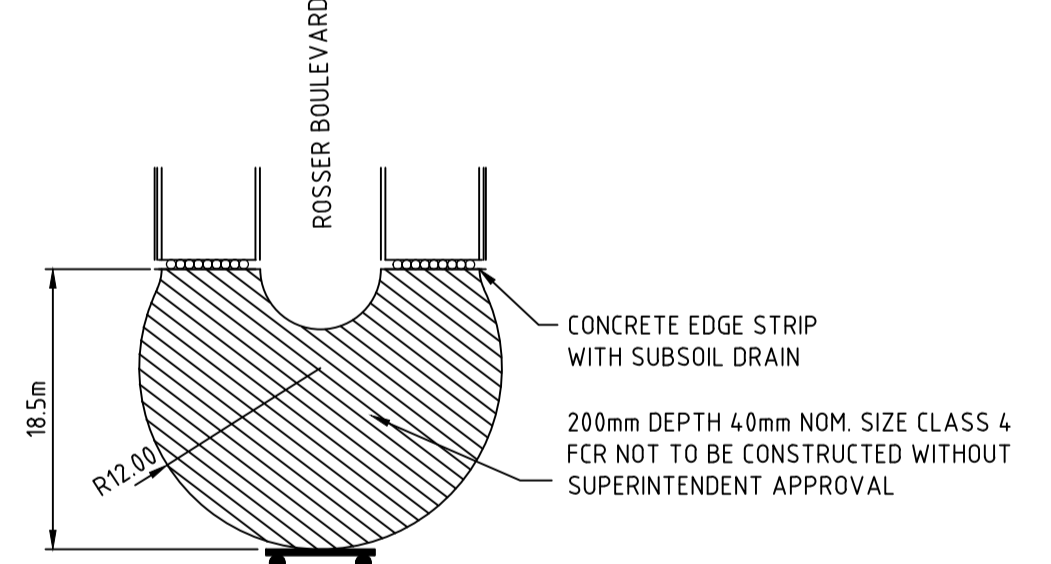
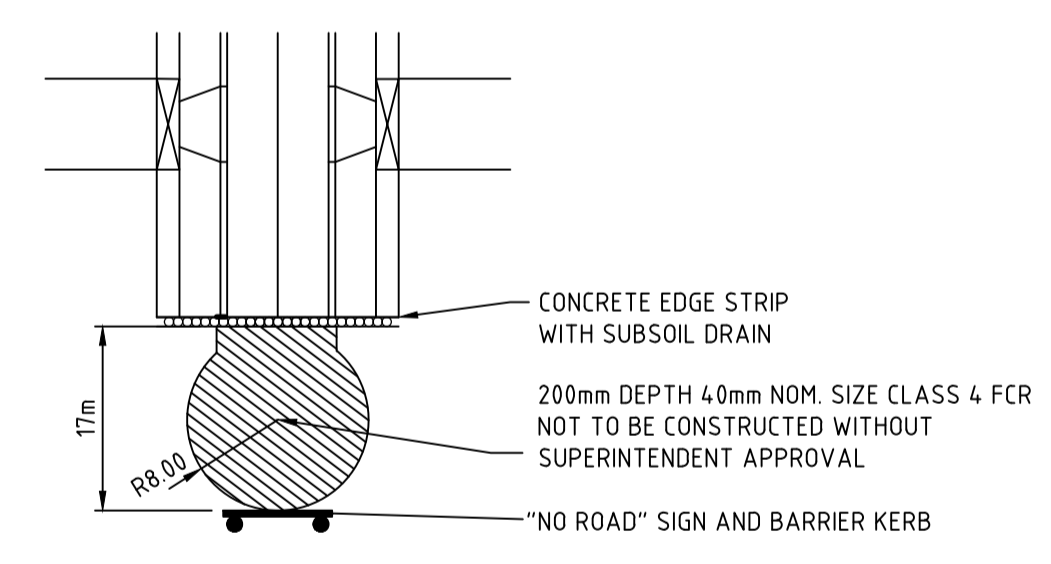
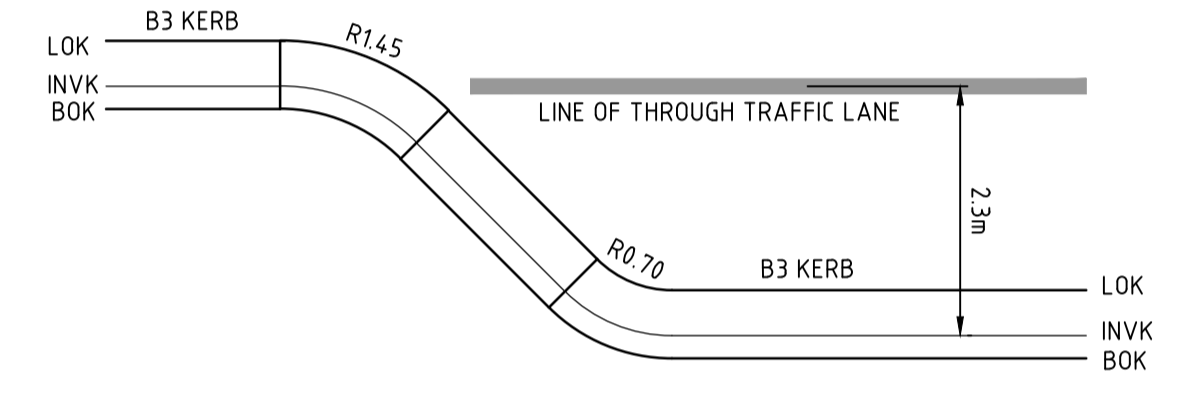


LEGEND

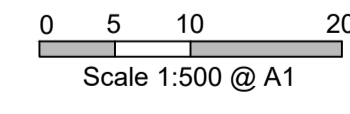
- 45.0 — EXISTING SURFACE CONTOURS (0.20m INT.)
- 45.5 — EXISTING SURFACE CONTOURS (0.20m INT.)
- TOP OF BATTER
- TOE OF BATTER
- RIIDGE (CHANGE OF GRADE)
- OVERALL DIRECTION TO LEGAL POINT OF DISCHARGE
- OVERLAND FLOW PATH & DIRECTION
- FILL IN EXCESS OF 200mm



TYPICAL NOTATIONS - EXAMPLE:
NOT TO SCALE



PROPERTY SERVICES TAPPINGS TO CROSS UNDER PROPOSED DRAIN PIPES/CULVERTS ALONG ROSSER BOULEVARD



WARNING
BEWARE OF UNDERGROUND SERVICES
THE LOCATIONS OF UNDERGROUND SERVICES ARE APPROXIMATE ONLY AND THEIR EXACT POSITION SHOULD BE PROVEN ON SITE. NO GUARANTEE IS GIVEN THAT ALL EXISTING SERVICES ARE SHOWN.

CONSTRUCTION PLAN

H:\21437\STAGE 3\CADD\DWG SET\ROAD AND DRAINAGE\21437_3R2.DWG

THIS DRAWING IS NOT TO BE COPIED OR SCALED

VERSION	REMARKS	DATE	BY
E	PIPE 101-102, 104-105 AMENDED	14.10.16	JZ
D	CONSTRUCTION ISSUE	26.09.16	AN
C	LOT 323 & 324 CROSSING AMENDED	01.08.16	JZ
B	LOT 314 CROSSING AMENDED AS PER CLIENT REQUEST	21.07.16	JZ
A	PRELIMINARY ISSUE	24.06.16	JZ

SYMBOL	DESCRIPTION
[Symbol]	DRAIN, PROPERTY INLET & PIT
[Symbol]	RECYCLED WATER
[Symbol]	EX RECYCLED WATER
[Symbol]	HOUSE DRAIN
[Symbol]	SEWER AND MAINTENANCE HOLE
[Symbol]	EX SEWER AND MAINTENANCE HOLE
[Symbol]	WATER MAIN
[Symbol]	EX WATER MAIN, VALVE & HYDRANT
[Symbol]	GAS MAIN
[Symbol]	EX GAS MAIN, VALVE
[Symbol]	TELSTRA SERVICES & PITS
[Symbol]	EX TELSTRA SERVICES & PITS
[Symbol]	FINISHED SURFACE AFTER CUTTING OR FILLING
[Symbol]	TOP OF PROPOSED BATTER
[Symbol]	PROPOSED PAVEMENT OR FOOTPATH SURFACE
[Symbol]	EXISTING OR PROPOSED INVERT LEVEL OF PIPE OR OPEN DRAIN
[Symbol]	TANGENT POINT
[Symbol]	CHAINAGE
[Symbol]	PSM
[Symbol]	EX FENCE
[Symbol]	EX WALL OR BUILDING
[Symbol]	RECYCLED WATER
[Symbol]	EX RECYCLED WATER
[Symbol]	ELECTRICAL U.G. SERVICES
[Symbol]	EX ELECTRICAL U.G. SERVICES
[Symbol]	ELECTRICAL SERVICE & PIT
[Symbol]	EX ELECTRICAL SERVICE & PIT
[Symbol]	EX ELECTRICAL OVERHEADS
[Symbol]	GAS & WATER CONDUITS
[Symbol]	TOP OF BATTER
[Symbol]	TOE OF BATTER

DRAWN BY	NARENDER.K	DESIGNED BY	J.ZHOU
MELWAY	493 D12	CHECKED BY	
DATUM	AHD	AUTHORISED BY	S.RAVIDA

REEDS CONSULTING

LAND SURVEYING
CIVIL ENGINEERING
PLANNING
DEVELOPMENT CONSULTING

www.reedsconsulting.com.au
engineering@reedsconsulting.com.au

Lvl 6, 440 Elizabeth Street Melbourne Victoria 3000
p (03) 8640 3000

SURF COAST SHIRE THE QUAY 2 ESTATE STAGE 3 LAYOUT PLAN	
DRAWING No.	VERSION
3R2	E
REFERENCE	
21437E/3	
SHEET	2 OF 13